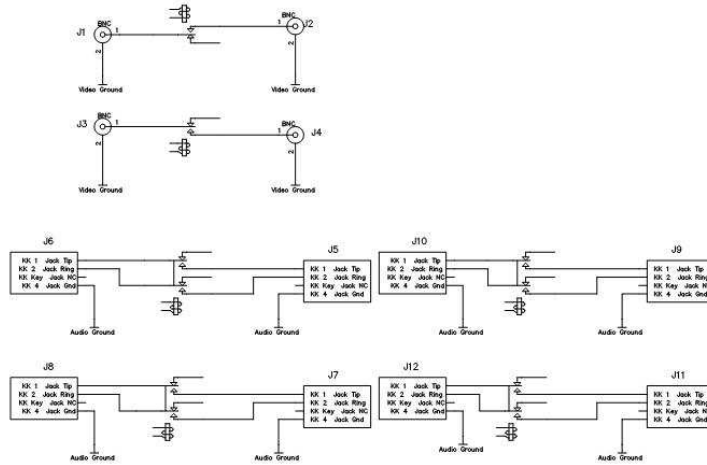


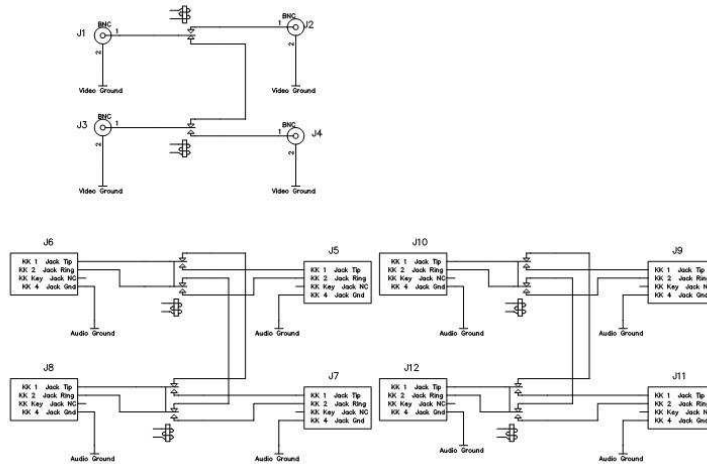
RSB4124 Circuit

-01



J1 connected to J2 when relay is closed otherwise NC
 J3 connected to J4 when relay is closed otherwise NC
 J6 connected to J5 when relay is closed otherwise NC
 J8 connected to J7 when relay is closed otherwise NC
 J10 connected to J9 when relay is closed otherwise NC
 J12 connected to J11 when relay is closed otherwise NC

-02



J1 connected to J2 when relay is closed otherwise J1 connected to J3
 J3 connected to J4 when relay is closed otherwise J3 connected to J1
 J6 connected to J5 when relay is closed otherwise J6 connected to J8
 J8 connected to J7 when relay is closed otherwise J8 connected to J6
 J10 connected to J9 when relay is closed otherwise J10 connected to J12
 J12 connected to J11 when relay is closed otherwise J12 connected to J10