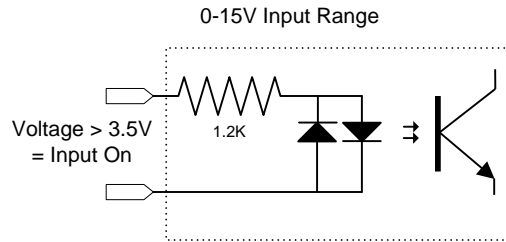
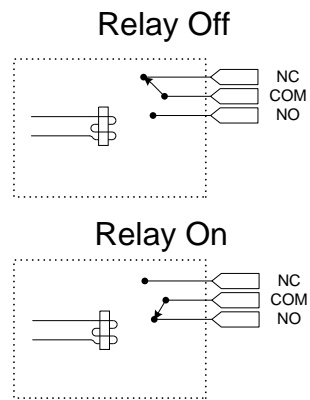


JSB360 IO Circuit Detail

Input



Output



<i>Output</i>	<i>Power Off</i>	<i>Power On</i>	<i>WDT Enable</i>	<i>WDT Time out</i>	<i>WDT Reset</i>
Relay 1	Open	Open	Closed	Open	Open
Out 1	Open	Open	Open	Gnd	Gnd
Relay 2	Open	Closed	Closed	Open	Closed
Relay 3	Open	Closed	Closed	Open	Open

States

Power Off – Module unplugged from USB

Power On – Module plugged into USB

WDT Enable – WDT enabled via software

WDT Time out – WDT timed out (no pulses or commands within programmed period)

WDT Reset – After time out, reset time completed