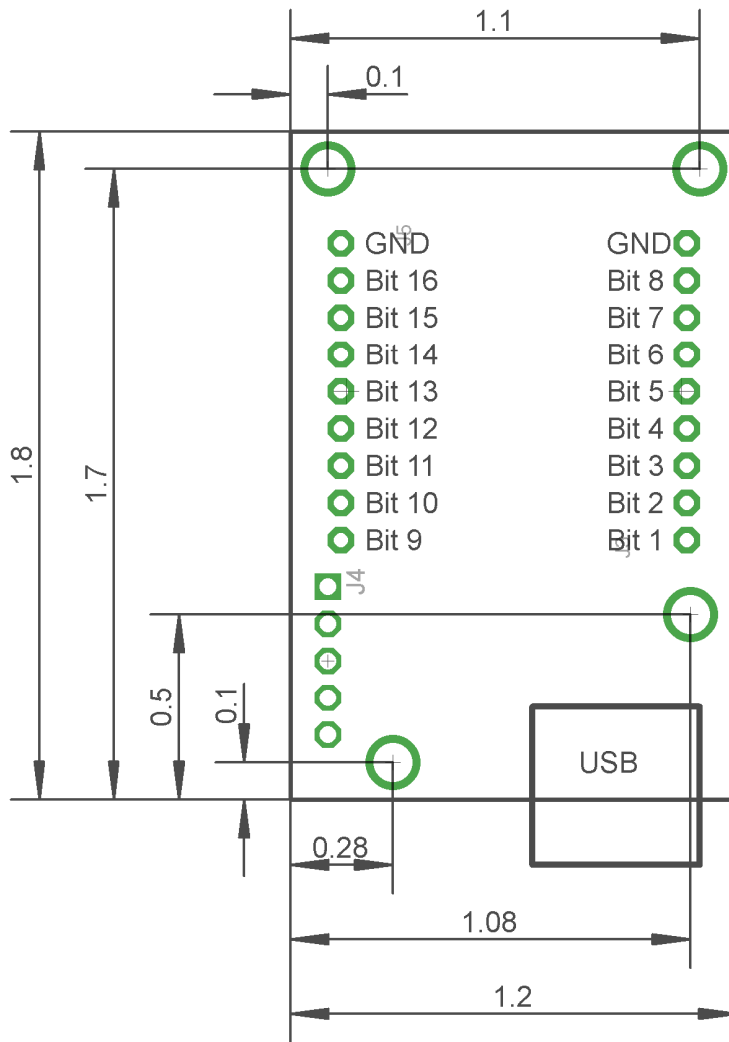


## DSB1616 USB Digital IO Module Mechanical Detail



All dim in inches  
 Max height above board 0.50  
 Max height below board 0.20  
 Board thickness 0.062  
 Weight 1 oz