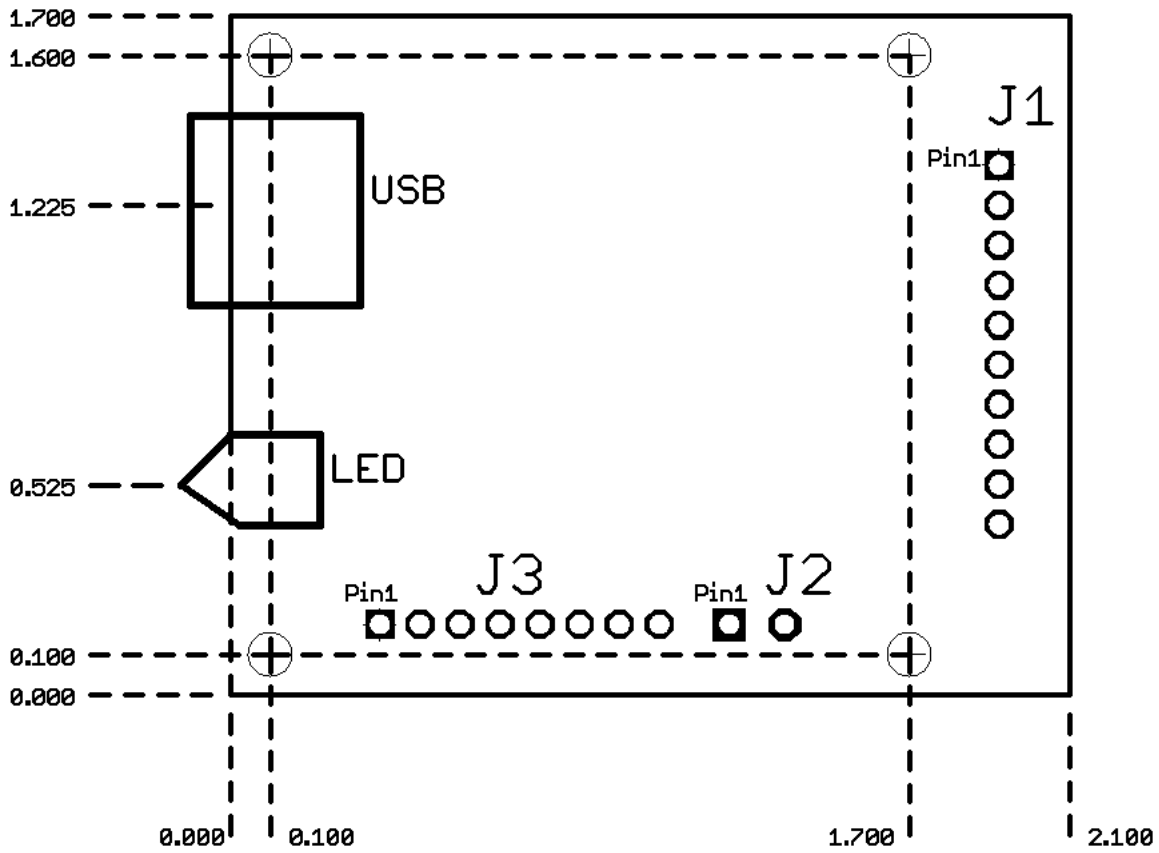


# JSB64x Mechanical Detail Rev 1



J1		J3		J2	
1	Analog In 1+	1	Digital In 1+	1	Reserved
2	Analog In 1- (SE Gnd)	2	Digital In 1 Gnd	2	Reserved
3	Analog In 2+	3	Digital In 2+		
4	Analog In 2- (SE Gnd)	4	Digital In 2 Gnd		
5	Analog In 3+	5	Digital In 3+		
6	Analog In 3- (SE Gnd)	6	Digital In 3 Gnd		
7	Analog In 4+	7	Digital In 4+		
8	Analog In 4- (SE Gnd)	8	Digital In 4 Gnd		
9	+5V out 400ma Max				
10	+5V Gnd				