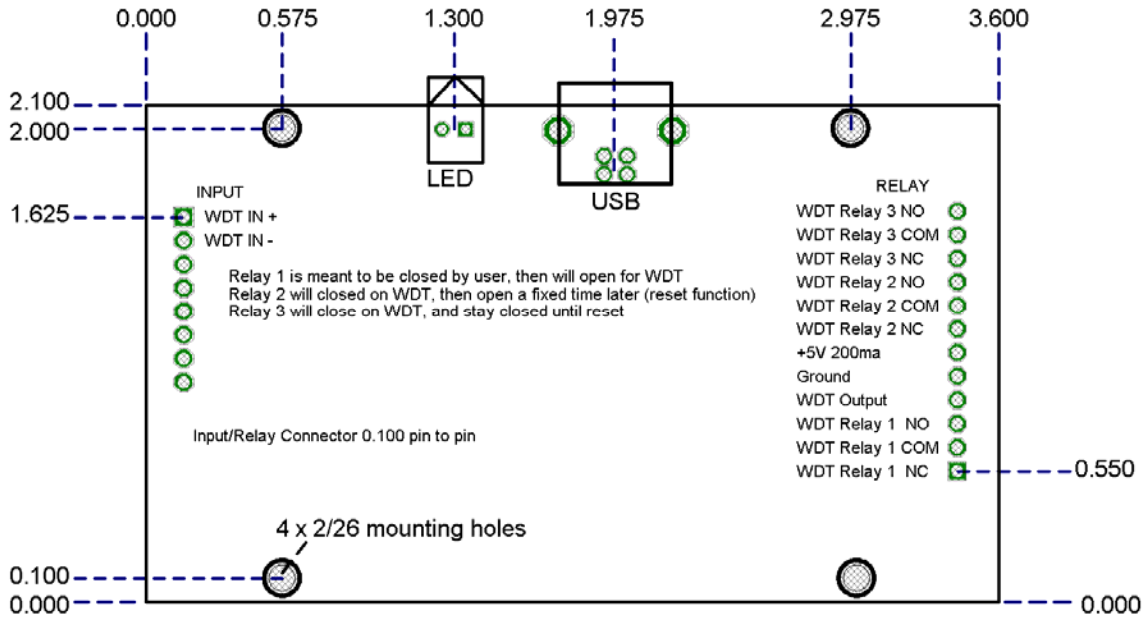


JSB360 Mechanical Detail

JSB360 Board Dimensions



Input Circuit

