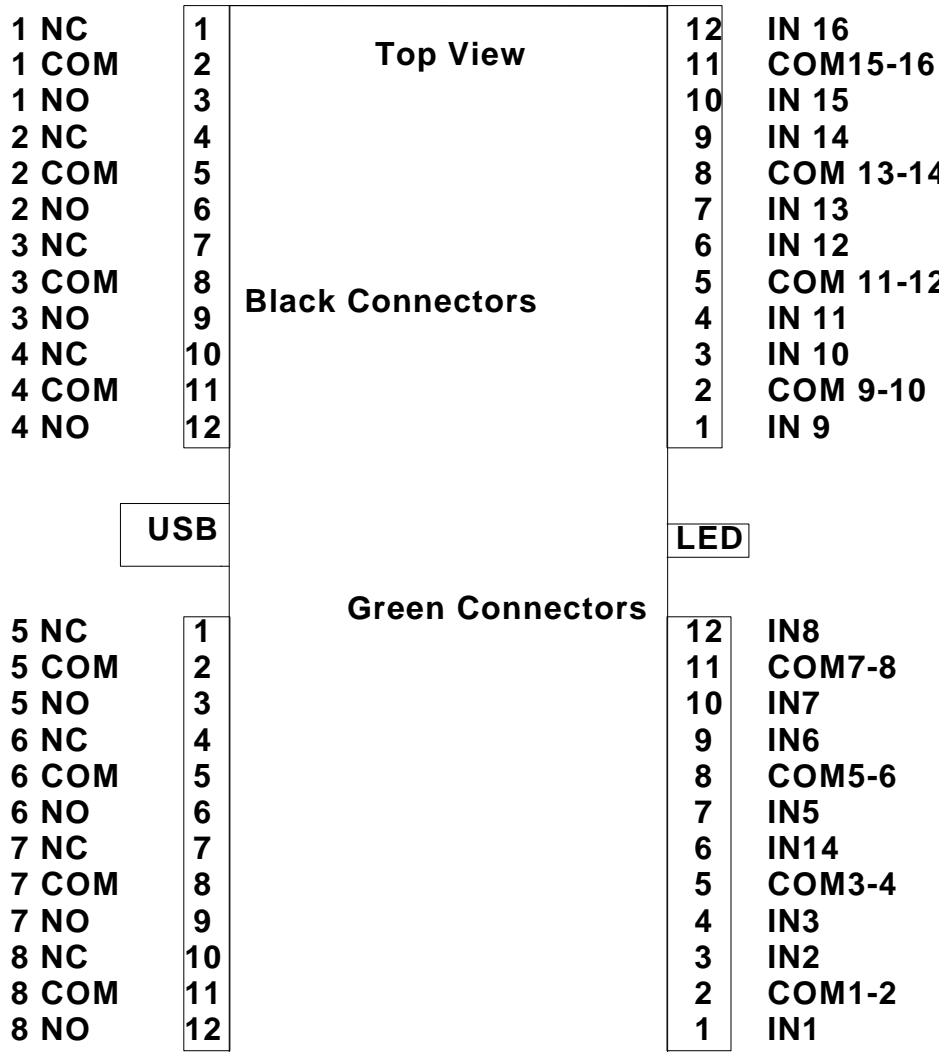


JSB335 Pin-Out

Two piece connectors. The board has 3.5mm header and a removable screw terminal block is provided for wire connection

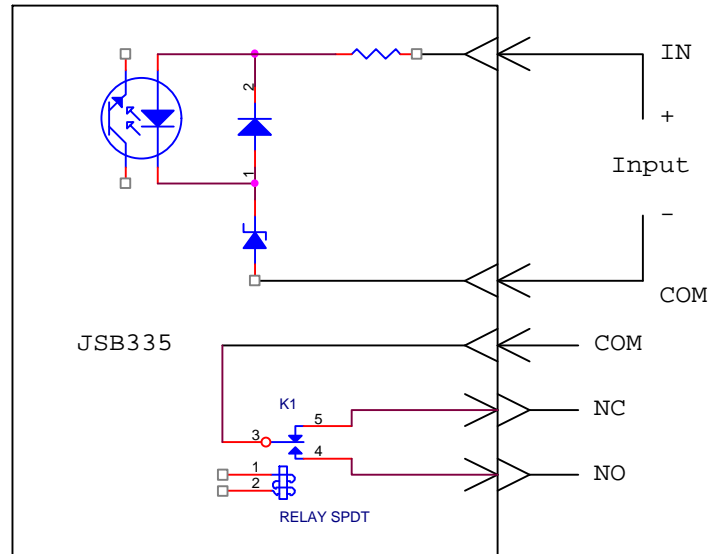


Not To Scale



Email: sales@j-works.com
 12328 Gladstone St Unit 1
 Sylmar, CA 913412
 818 361-0787 Fax 818 270-2413

JSB335 Input and relay schematic



Email: sales@j-works.com
12328 Gladstone St Unit 1
Sylmar, CA 913412
819 361-0787 Fax 818 270-2413