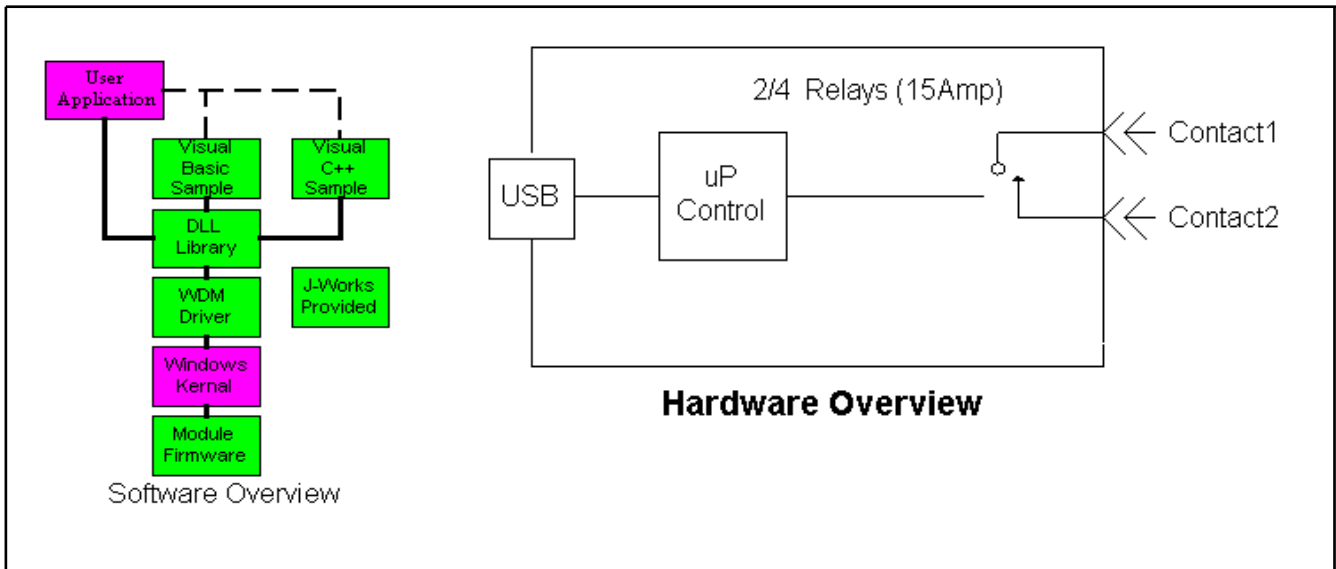




## Model JSB-280 USB 15Amp 2/4 Relay Module



### Overview

The JSB-80 USB Relay module provides 1 to 4 SPST relays for connection to user devices. The relay module programming interface is easy to use from Visual Basic and Visual C++ via a standard windows DLL with sample source included. Any programming language that supports calls to Windows DLL can also be used. Each module has an unique serial number string which allows multiple USB devices to be controlled by the host USB controller as individual devices.

### Specification

AC Ratings: 15A @ 125VAC	Sample applications included
DC ratings: 10A @ 30VDC	Operating Temperature -30C to 70
Max Voltage 125VDC 250VAC	Self powered from USB
Contact Resistance: 30mOhm Max	Windows 98/ME/2K/XP drivers
Relay Closing Time: 10milliseconds	USB cable included
Relay Releasing Time: 10milliseconds	Weight 6 oz
Material Gold-clad silver alloy	

### Ordering Information

Model Number	Description	Cost each
JSB280-02	USB 2 Relay 15A Module	\$65.00
JSB280-04	USB 4 Relay 15A Module	\$90.00

Specifications subject to change without notice

### J-Works,Inc

11024 Balboa Blvd. #402  
Granada Hills, CA 91344  
818 364-0915 voice 818 364-0912  
[sales@j-works.com](mailto:sales@j-works.com)