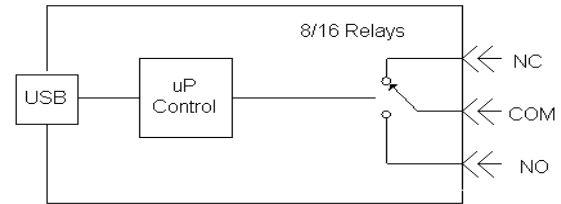
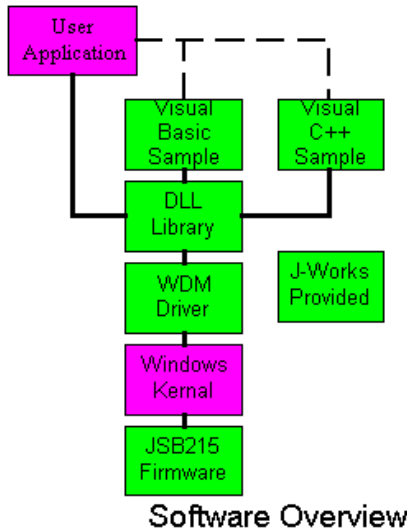




# Model JSB-215 USB 2 Amp 8/16 Relay Module



**Hardware Overview**

The JSB-215 USB Relay module provides 8 or 16 SPDT Form 'C' relays for connection to user devices. The 8 or 16 relays outputs provide host control between a common line and normally open and close connection point. High quality TX Series NAIS relays are used. The relay interface is easy to use from Visual Basic and Visual C++ via a standard windows DLL with sample source included. Any programming language that supports calls to Windows DLL can also be used. Each module has an unique serial number string which allows multiple USB devices to be controlled by the host USB controller as individual devices.

Form 'C' (SPDT)	Material Gold-clad silver alloy
DC ratings: 2A @ 30VDC	Sample applications included
Max DC Voltage 220VDC @ .3A	Operating Temperature -30C to 70C
Max switching power 60W	Self powered from USB
Contact Resistance: 75mOhm Max	Windows 98/ME/2K/XP drivers
Contact Breakdown 750Vrms	USB cable included
Isolation: 60dbB @ 10MHz	Board size 4.7 x 3.9 x .5 inches
40dbB @ 100MHz	Weight 10 oz
Relay Closing / Release Time: 5milliseconds	25 pin Sub "D" connection

### Ordering Information

Model Number	Description	Cost each
JSB215A-08	USB 8 Relay 2A Module	\$175.00
JSB215A-16	USB 16 Relay 2A Module	\$215.00

### Accessory Items

The following items are offered as a customer convenience, there are many sources of compatible products

AY25F-01	25 Pin Sub "D" Solder Cup Receptacle (Amphenol G17S-2500-110EU)	\$3.50
AY25BS-01	Backshell Kit (Amphenol 17E-1726-w)	\$6.25
AY-AB-06	USB 6 foot cable	\$3.00

Specifications subject to change without notice

### J-Works, Inc

11024 Balboa Blvd #402

Granada Hills, CA 91344

818 364-0915 voice 818 364-0912 fax

[sales@j-works.com](mailto:sales@j-works.com)