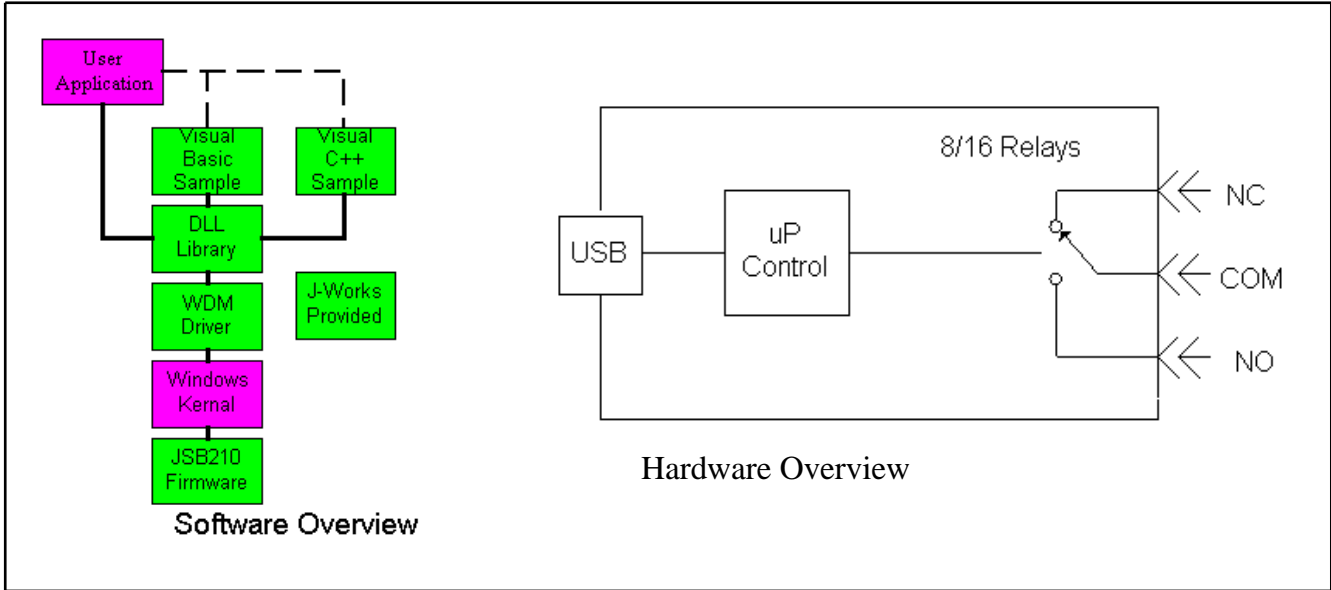




Model JSB-210 USB 1 Amp 8/16 Relay Module



The JSB-210 USB Relay module provides 8 or 16 SPDT Form 'C' relays for connection to user devices. The 8 or 16 relays outputs provide host control between a common line and normally open and close connection point. High quality TX Series NAIS relays are used. The relay interface is easy to use from Visual Basic and Visual C++ via a standard windows DLL with sample source included. Any programming language that supports calls to Windows DLL can also be used. Each module has a unique serial number string which allows multiple USB devices to be controlled by the host USB controller as individual devices.

Form 'C' (SPDT)	Material Gold-clad silver alloy
DC ratings: 1A @ 30VDC	Sample applications included
Max DC Voltage 110VDC@ .3A	Operating Temperature -30C to 70
Max switching power 30W	Self powered from USB
Contact Resistance: 75mOhm Max	Windows 98/ME/2K/XP drivers
Contact Breakdown 750Vrms	USB cable included
Isolation: 60dB @ 10MHz	Board size 4.7" x 3.9"
40dB @ 100MHz	Weight 10 oz
Relay Closing Time: 5milliseconds	25 pin sub 'D' connection
Relay Releasing Time: 5milliseconds	

Ordering Information

Model Number	Description	Cost each
JSB210A-08	USB 8 Relay 1A Module	\$130.00
JSB210A-16	USB 16 Relay 1A Module	\$170.00

Accessory Items

The following items are offered as a customer convenience, there are many sources of compatible products

AY25F-01	25 Pin Sub "D" Solder Cup Receptacle (Amphenol G17S-2500-110EU)	\$3.50
AY25BS-01	Backshell Kit (Amphenol 17E-1726-w)	\$6.25
AY-AB-06	USB 6 foot cable	\$3.00

Specifications subject to change without notice

J-Works,Inc

11024 Balboa Blvd #402

Granada Hills, CA 91344

818 364-0915 voice 818 364-0912 fax

sales@j-works.com